

1/8 NPT Right Angle Temperature Sensor

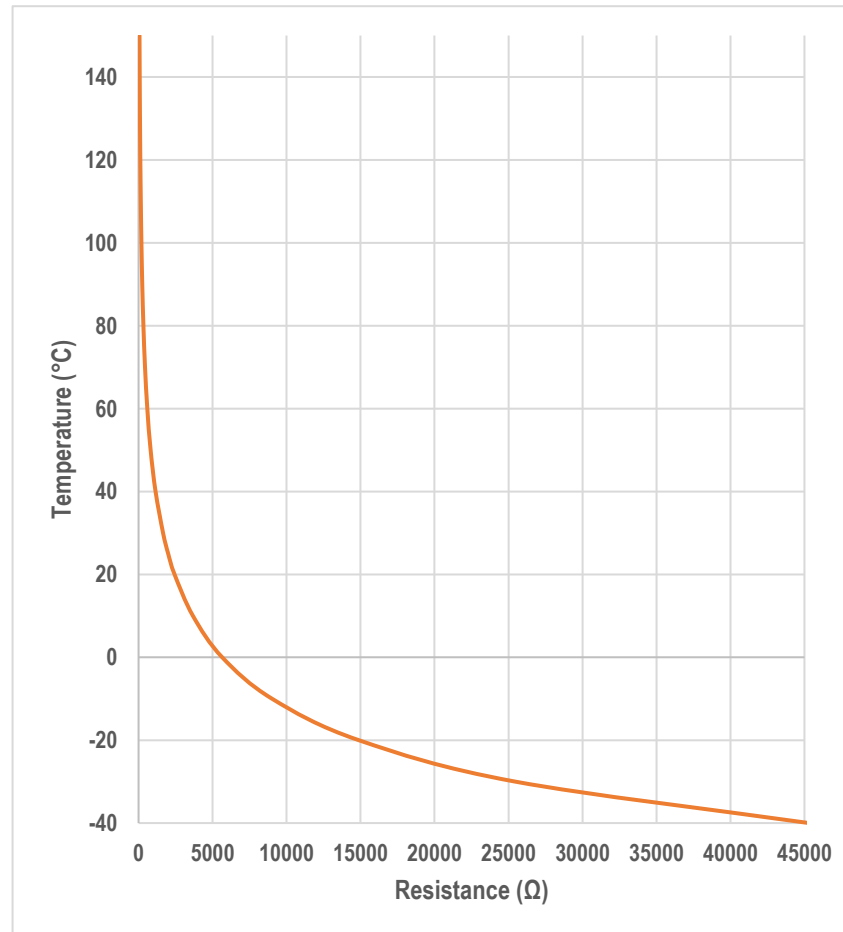
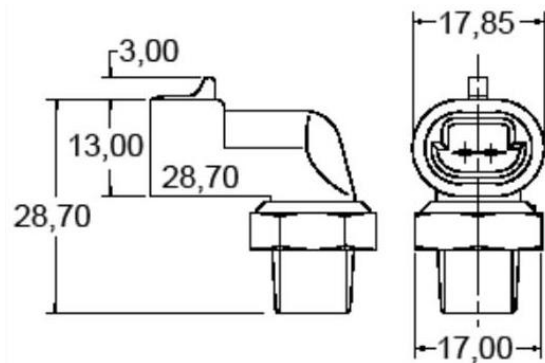
SENTEMRA –Delphi Connector (-40 to 150°C)

Specifications

Housing Material: Brass
Mounting Thread: 1/8 PTF (Taper Thread)
Connector: Delphi 2-Way (CONDELFTK)

Temperature Range: -40 to 150 °C
Sensor Type: Immersion (Fluid)

Mechanical Drawing



Temperature (°C)	Resistance (Ω)	Volts* (V)
-40	45320	4.892
-30	25460	4.811
-20	14880	4.685
-10	9019	4.501
0	5650	4.248
10	3672	3.930
20	2432	3.543
25	2000	3.333
30	1655	3.117
40	1147	2.671
50	813	2.243
60	590	1.855
70	435	1.517
80	327	1.232
90	249	0.997
100	192	0.806
110	150	0.654
120	119	0.532
130	95	0.436
140	77	0.359
150	63	0.297

*with 1K pull-up (for M1 input)

P: +64 9 525 2991 | E: sales@mssel.com | W: www.mssel.com

218D Marua Rd, Mt Wellington, Auckland NZ

MSEL Competition & Development Electronics